

APPROVED
THE INSTITUTE OF HERALDRY
U.S. ARMY

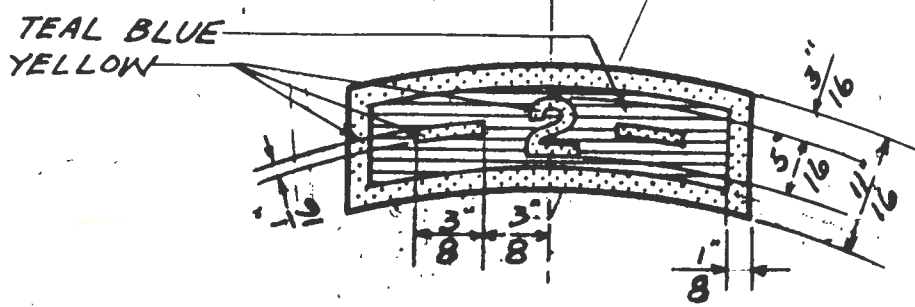
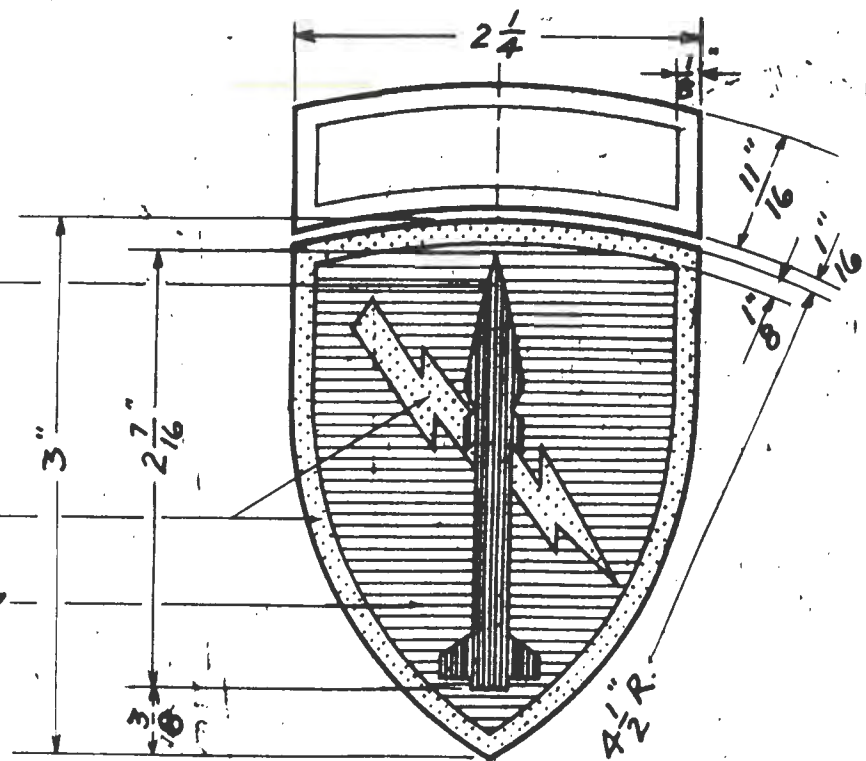
CHECKED BY CAR

DRAWN BY

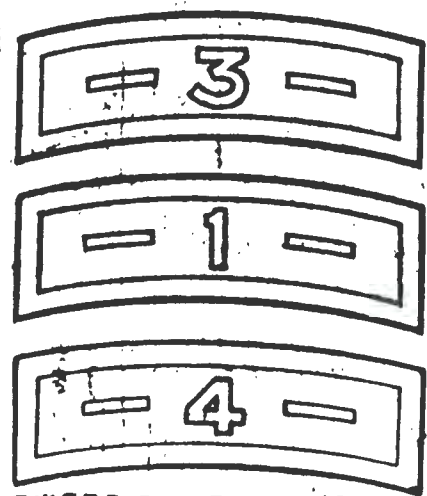
RED
CABLE NO. 65006
(SCARLET)

YELLOW
CABLE NO. 65002

TEAL BLUE
CABLE NO. 70147



STITCH COUNT
 SHOULDER SLEEVE INSIGNIA,
 4150 STITCHES (MINIMUM)
 TABS-1220 STITCHES (MINIMUM)



REVISION 1
REVISED 27 Jan. 65

SUPERSEDES DWG. NO. B-1-2-15 JAN. 63

TITLE
**SHOULDER SLEEVE INSIGNIA FOR
 UNITED STATES ARMY MISSILE COMMANDS.**

DATE 17 AUGUST 1964	DEPARTMENT OF THE ARMY THE INSTITUTE OF HERALDRY	DRAWING NO. A-1-377
------------------------	---	------------------------

DATE
15 JANUARY 1958

DEPARTMENT OF THE ARMY
O. Q. M. G.

DRAWING NO.
B-1-2

TITLE
**SHOULDER SLEEVE INSIGNIA AND TABS FOR THE
UNITED STATES ARMY MISSILE COMMANDS**

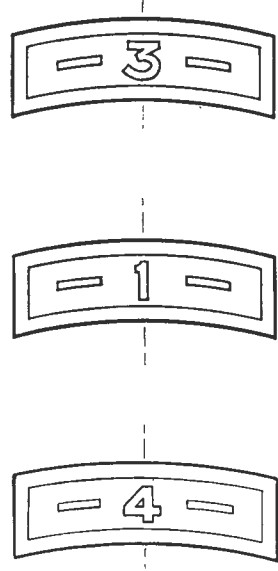
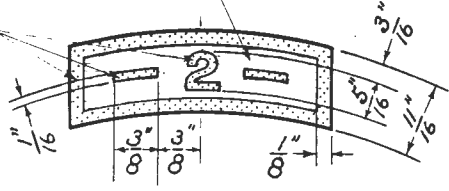
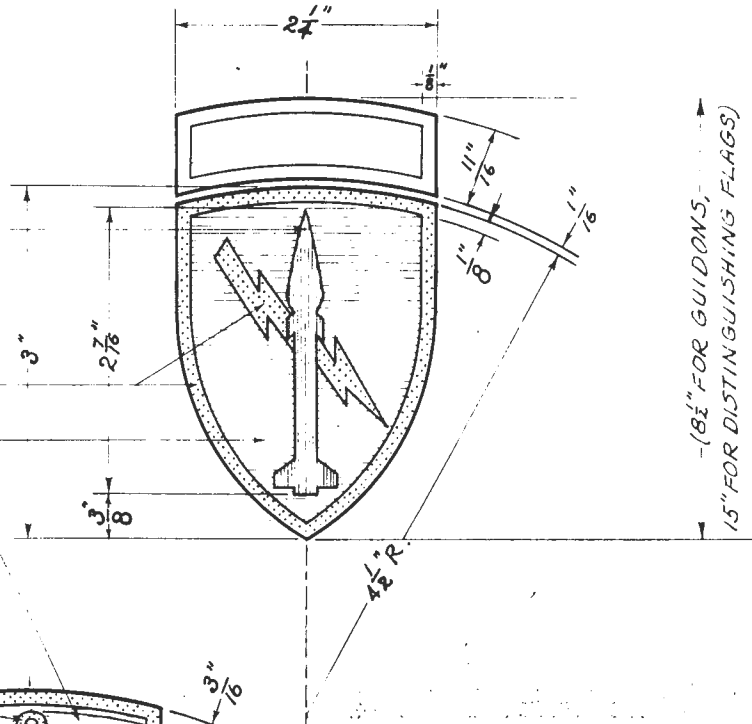
REVISED 12 FEB. 58 4 June 58

James L. ... Lt. Col. Q.M.G.

SCARLET
CABLE NO 65006

YELLOW
CABLE NO 65002

TEAL BLUE
CABLE NO
70147



APPROVED FOR O. Q. M. G.

John P. ... MAJOR

APPROVED FOR
HERALDIC SER. DIV.

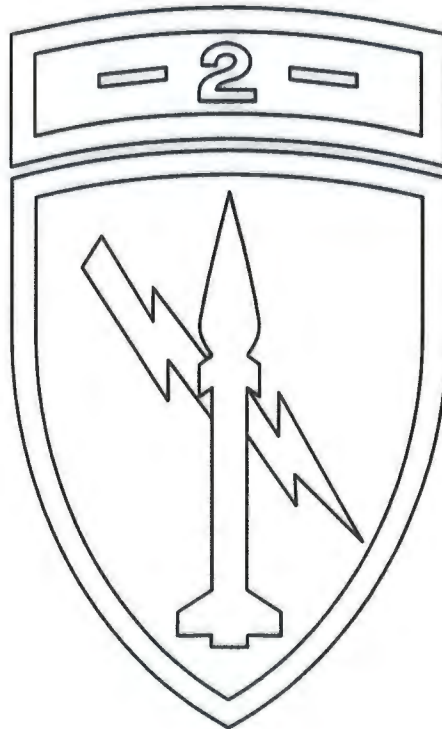
CHECKED ML
DRAWN RA

* ALL TABS FOR ARMY MISSILE COMMANDS TO BE EMBROIDERED TEAL BLUE WITH A YELLOW BORDER, NUMERAL AND DASHES.

SCALE: FULL SIZE



COLOR



LINE

**SHOULDER SLEEVE INSIGNIA
UNITED STATES ARMY MISSILE COMMANDS
(SECOND)**

CAMERON STATION QUARTERMASTER ACTIVITIES
U. S. ARMY
ALEXANDRIA, VIRGINIA

IN REPLY
REFER TO:

QMACH 421.4
2nd US Army
Msl Comd

15 January 1958

SUBJECT: Shoulder Sleeve Insignia and Tab for the 2nd United States Army
Missile Command

THRU: Commanding General
Fourth United States Army
Fort Sam Houston, Texas

TO: Commanding Officer
2nd United States Army Missile Command
Fort Hood, Texas

1. The following shoulder sleeve insignia and tab are approved for
the 2nd United States Army Missile Command:

On a teal blue shield with a 1/8 inch yellow border, 3
inches in height and 2 1/4 inches in width overall, a
yellow lightning flash striking from upper dexter to
sinister base, surmounted by a scarlet perpendicular
guided missile.

Worn 1/16 inch above the shoulder sleeve insignia, a
teal blue arc tab with a 1/8 inch yellow border 11/16
inch in height and 2 1/4 inches in width overall, bear-
ing the Arabic numeral "2", 5/16 inch in height between
two dashes, all yellow.

2. This shoulder sleeve insignia is the design approved for all United
States Army Missile Commands with the approved tab showing the appropriate
numerical designation.

3. The painting of the shoulder sleeve insignia and tab is forwarded
for the records of the organization. It is requested that receipt of the
painting be acknowledged.


QMACH 421.4
2nd US Army
Msl Comd

SUBJECT: Shoulder Sleeve Insignia and Tab for the 2nd United States Army
Missile Command

4. The time required for development, procurement, and distribution of the insignia and tab precludes supply prior to six to nine months from this date.

FOR THE COMMANDER:

1 Incl
Ptng, SSI & Tab,
2nd US Army Msl Comd


JOHN G. GOODLETT, JR.
Major, QMC
Chief, Heraldic Services Division

AKAQM-5a 280/81a Insig
(15 Jan 58)

1st Ind

S - 21 Feb 58

HEADQUARTERS FOURTH UNITED STATES ARMY, Fort Sam Houston, Texas 5 FEB 1958

TO: Commanding General, III Corps

For compliance with instructions contained in para 3, basic letter, and return through this headquarters at the earliest practicable date.

FOR THE COMMANDER:



GEORGE R. ARNOLD
Maj, AGC
Asst AG

1 Incl
n/c